



Le Club 50 Sleeving System

To automatically sleeve
Club Store style Bundles or
Stacks of containers



Stack of two, three or more perfectly sleeved at up to 40 stacks per minute

Made to easily produce:

- Bundles of plastic or tin tubs and containers
- Clear or printed sleeves
- Round, rectangular or special shaped containers
- Up to 40 Stacks or bundles per minute

See the video on



The system that will not let your customers down

Since 1996 we at ARTYPAC have been taking great pride in supplying our customers with the simplest most dependable automated systems on the market.

Made in AMERICA BY:



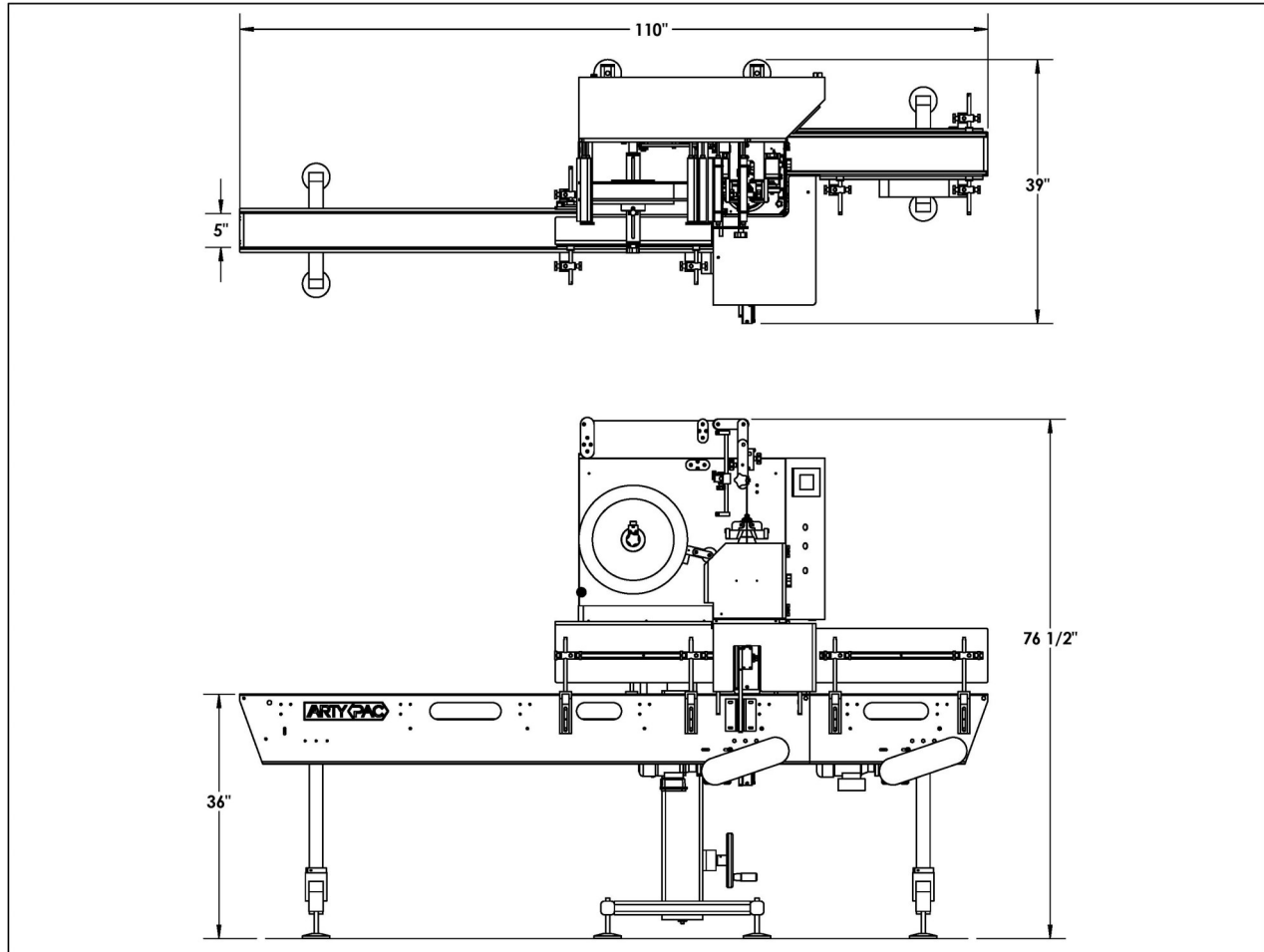
Beyond Expectations Since 1996

3315 Boul. Industriel
Laval, Quebec
Canada, H7L 4S3

Phone: 450.668.6600
Toll free: 877.768.6600
Fax: 450.668.6633
E-mail: info@artypac.com

www.artypac.com

The NEW ARTYBAND LE CLUB 50



FEATURES

- Industry leading "teacher" Touch Screen HMI
- 4 Minute Set-ups
- Quick loading, self-centering, reel holder
- Quick change Mandrels
- Programmable cut-off length
- Adapts to irregular feeding speeds
- PLC controlled
- Easily sleeves 30 to 40 stacks of containers
- Polycarbonate safety guards with interlock safety switches.

TECHNICAL DATA

Sleeve length*:	Min. ---1 1/4"	Max. ---24"
Sleeve lay flat:	Min. ---2.5"	Max. ---8"
Reel size:	Max width.	8"
	Max. OD	16"
	Core	5"
Speeds up to:	40 CPM.	
Power supply:	220V, 10 A, single phase	
Air:	85PSI, 5CFM	