

FEATURES

- One quick loading motorized reel holder.
- Band feeding system by means of side belts running against a self centering mandrel.
- Feed belts driven by two stepper motors, providing fast feed and accurate lengths.
- Programmable lengths from 1/4" up to 12".
- Pneumatically operated cut-off knife.
- Polycarbonate safety guards with safety switches.
- Tool-less indexing system pneumatically operated.
- Optical product detector.
- Programmable controller.
- Speeds up to 90 bands per minute, depending on product size, indexing system and length of band.
- Tubular steel stand protected with electrostatic paint.
- Adjustable height by means of a hand wheel.
- Four castors or optional leveling pads.
- Print registration optional

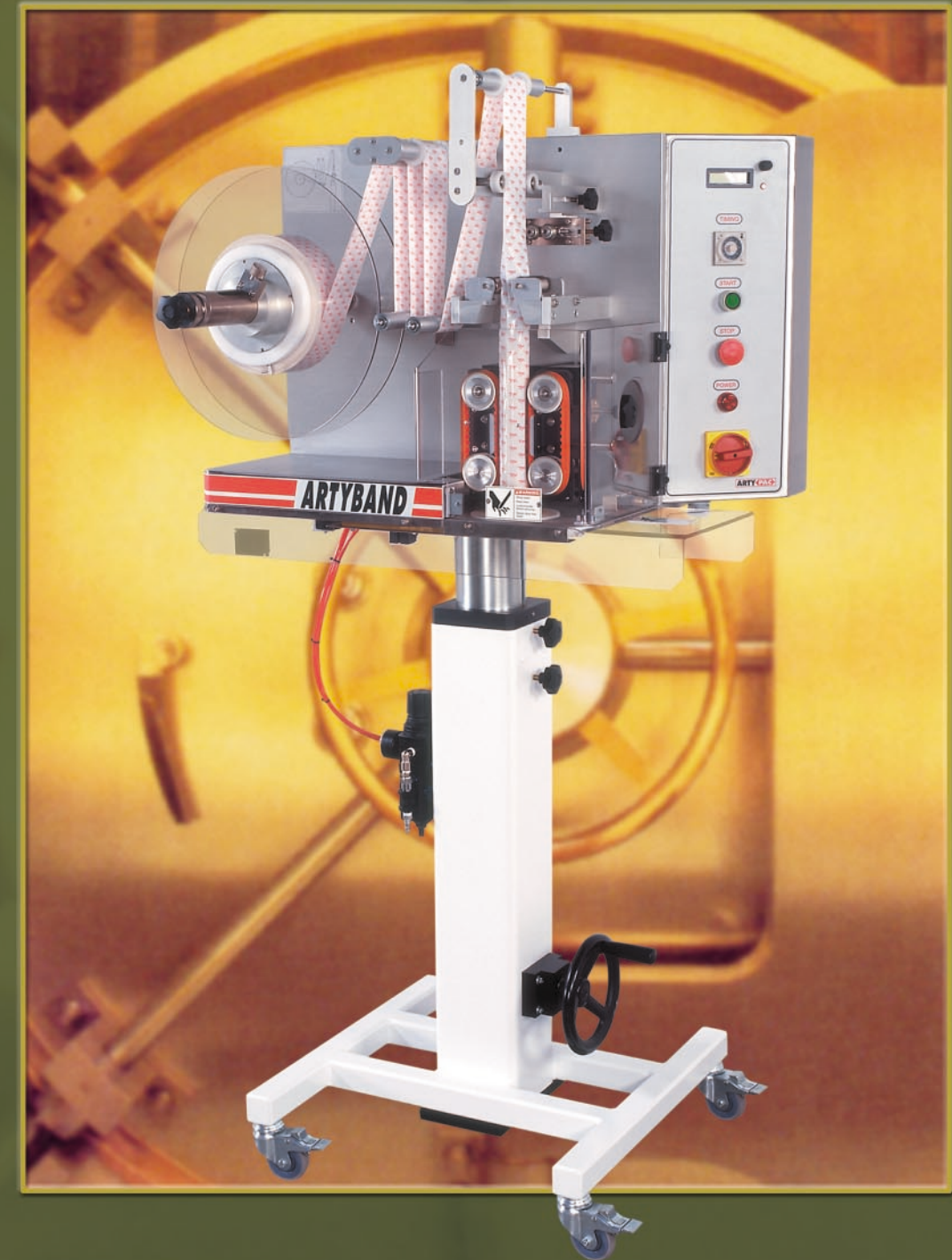
ARTYBAND SERIES

TECHNICAL DATA ARTYBAND SERIES

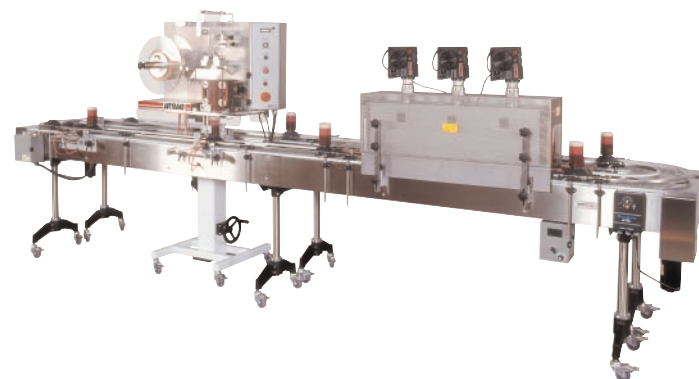
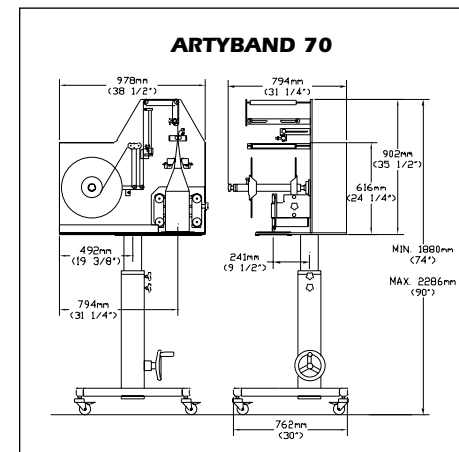
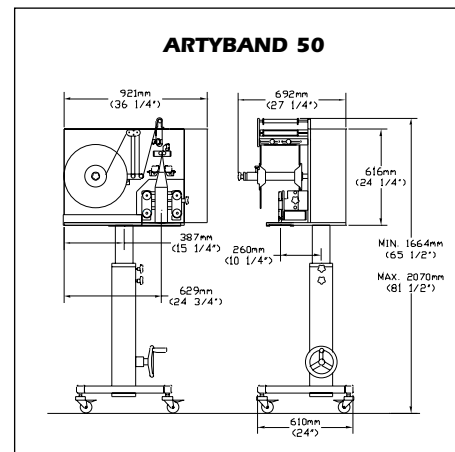
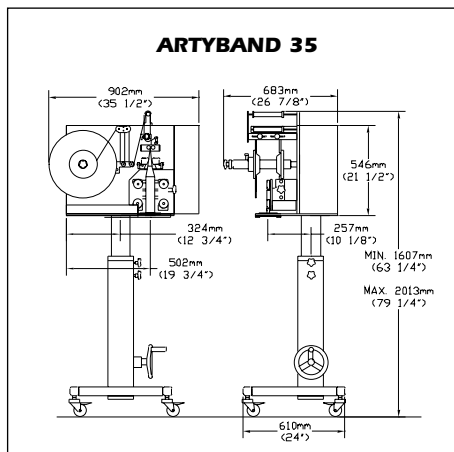
	ARTYBAND 35	ARTYBAND 50	ARTYBAND 70
Min. Product Dia.	6mm (1/4")		25mm (1")
Max. Product Dia.	90mm (3-1/2")	125mm (5")	180mm (7")
Min. Band Width	10mm (3/8")		50mm (2")
Max. Band Width	145mm (5.7")	205mm (8")	290mm (11.4")
Band length	Programmable from 6mm (1/4") to 300mm (12")		
Max reel OD	400mm (16")		
Reel core	125mm (5")		
Speeds up to	90 cpm	75cpm	60cpm
Power supply	220V, 50-60Hz, single phase		
Amperage	3 Amps		5 Amps
ACCESSORIES			
8"x8" or 8"x10" table top conveyor	Variable speed, 220V-1.5 Amps		
Single gun heat tunnel	220V-16 Amps, single phase		
Double gun heat tunnel	220V-32 Amps, single phase		
Triple gun heat tunnel	220V-32 Amps, three phases		
Pre-shrink unit	220V-16 Amps, single phase		

Machine specifications may change without notice.

ARTY-PAC



ARTYBAND



Made in Canada with pride by
ARTYPAC AUTOMATION INC.

ARTY-PAC

... Beyond quality & service

ARTYBAND SERIES

Precision and Versatility

- The **ARTYBAND** is a **simple-to-use, cost efficient banding machine** to cut and apply shrinkable bands onto bottles, jars, candles, plastic tubs, and other containers.

- **Programmable lengths make neck banding or full body applications** just as easy. Two stepper motors driving two pulling belts provide **accurate lengths, regardless of band length.**

- Features **self-centering mandrel for easy set up and fast change overs with no tools required.**

- Motorized and **self-centering reel holder,** horizontally mounted shaft to allow **easy loading of reel** in proper position.

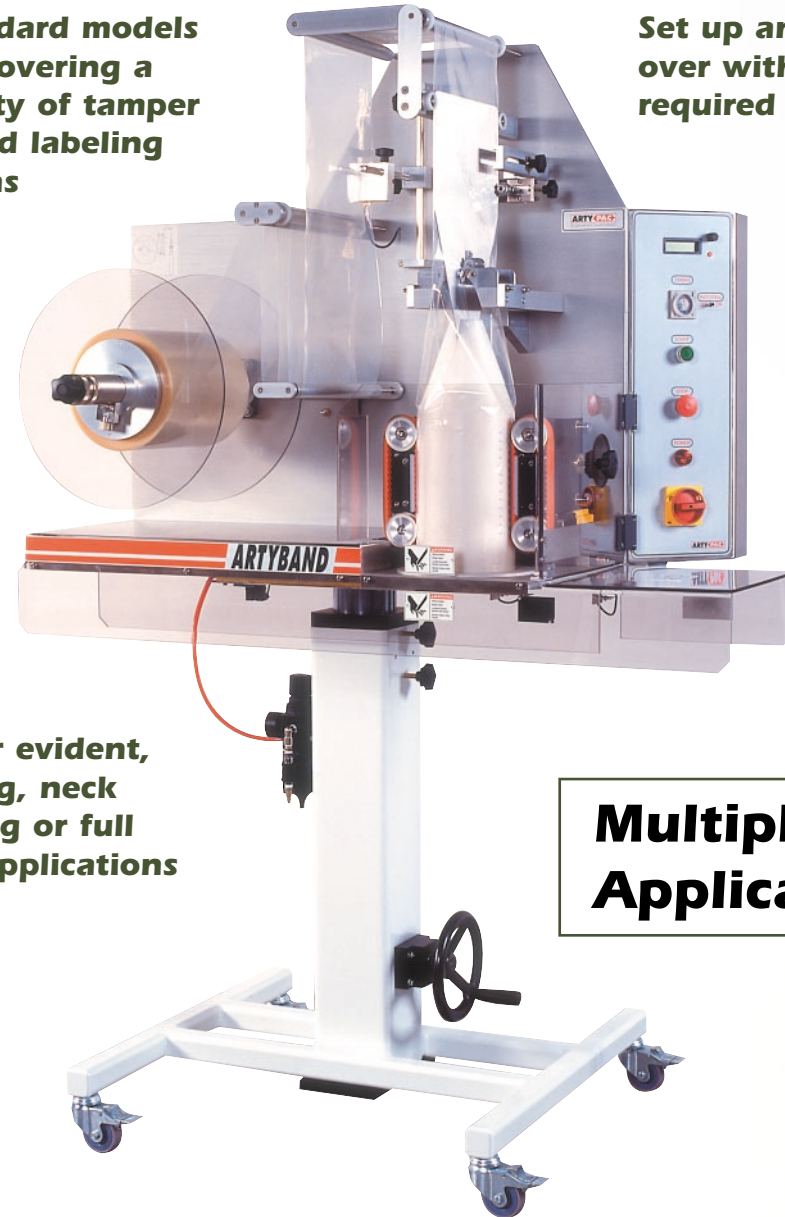
- PLC controller, optical product detector and **easy to adjust tool-free indexing system** are standard features.

- Tubular stand equipped with **fast height adjustment** hand wheel to conform to the height of the product.

- Hi efficiency shrink tunnels and conveyors are available to complete the line and meet installation requirements.

- All stainless steel base optional.

Three standard models available covering a wide variety of tamper evident and labeling applications

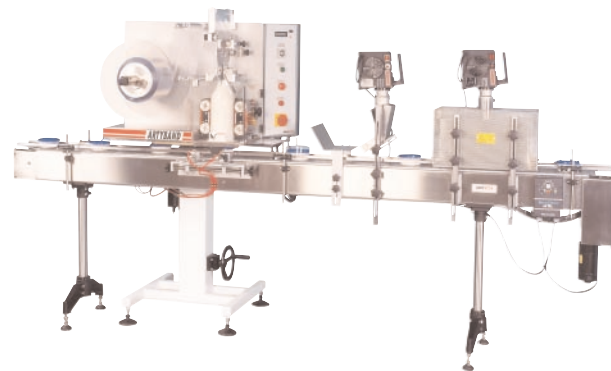


Set up and change over with no tools required

Tamper evident, labeling, neck banding or full body applications

Multiple Applications

Modular construction, band applicator, shrink tunnel and conveyor. Each module can be used separately.



Using the latest technology our team of dedicated technicians is creating easy-to-use packaging equipment for the food, drug, chemical and hardware industries, requiring minimal maintenance and no advanced skills to operate.



... The efficiency of simplicity